

Invikta Series

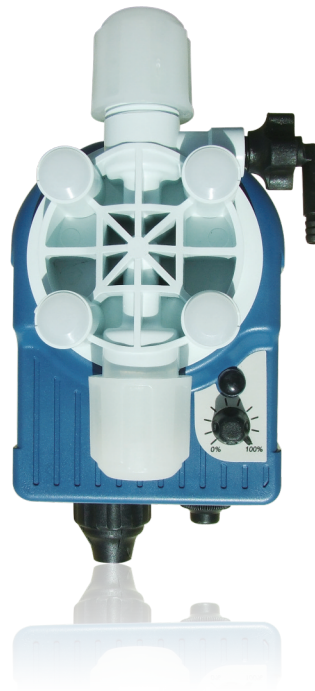
Invikta is a simple yet reliable series of micro-processor based solenoid dosing pumps.

Ideal applications are: OEMs, Swimming Pools, Car Wash, Cooling Towers, RO Systems and many other applications.

KCL

Costant dosage

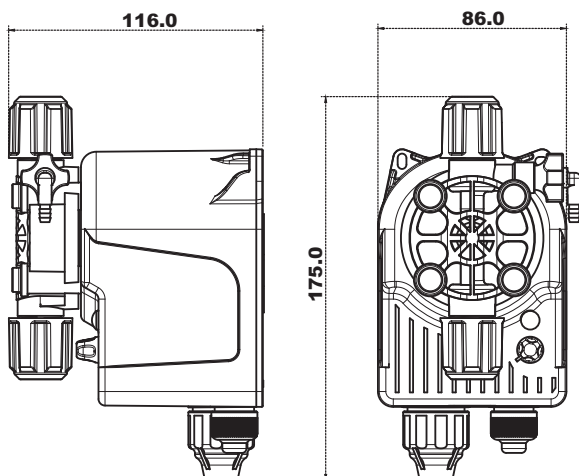
Analog dosing pump with costant flow rate, manually adjustable by control dial on the front panel, with level control input. Power-ON led indicator.



Technical specifications

Liquid end material			Model	635		
Head Type	VE	VF	Pressure [bar]	7	5	2
Pump Head	PVC		Flow rate [l/h]	3	5	6
Balls	Ceramic		Stroke/min	140		
Seals	EPDM	FPM	cc/stroke	0.36	0.60	0.71
Diaphragm	PTFE		Ø Connections IN / OUT [mm]	4 / 6		
			Power Consumption	100-240Vac, 50/60Hz, 12W		
			Weight [Kg]	2,4		
			Carton size (LxWxH) [mm]	285x185x180		

DIMENSIONAL DRAWINGS



Installation Kit



Wall-mounted bracket



PVC Suction tube



PE Delivery tube



Injection valve (PVC)
(G3/8", G1/2")



Foot valve (PVC)