

PS2 Series

Plunger Piston Metering pumps

PS2 pumps are plunger piston metering pumps featuring a spring return mechanism in an aluminium housing.

FEATURES

■ FLOW RATE	from 40 to 1,000 L/h
■ MAX PRESSURE	20 bar
■ STROKE RATE	58 – 116 strokes/minute
■ PISTON DIAMETER	from 25 to 89 mm
■ MOTOR	standard 0.55-0.75 Kw (IP 55)
■ STROKE LENGTH	25 mm



TECHNICAL FEATURES

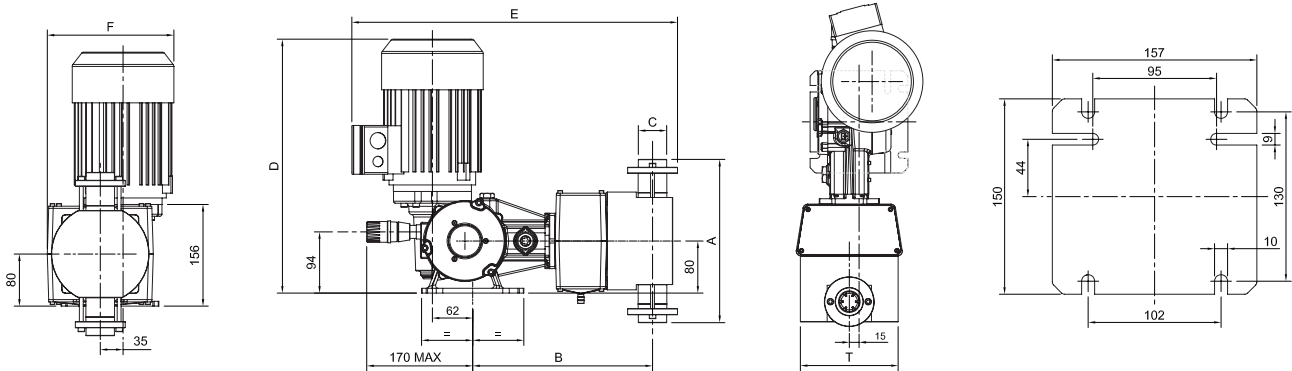
MODEL	PISTON DIAMETER [mm]	STROKES RATE [Strokes/min]	FLOW RATE [L/h]	MAX PRESSURE [bar]		CONNECTIONS		MOTORS [kW]	WEIGHT [Kg]		CARTON SIZE (LxWxH) (mm)													
				SS316L	PVC	SS316L	PVC		SS316L	PVC														
PS2E025A	25	58	40	20	10	3/8 GF	3/8 GF DN15	0.55(D)	25	23	590x400x550													
PS2E025C		116	80																					
PS2E030A	30	58	55																					
PS2E030C		116	112																					
PS2E038A	38	58	90																					
PS2E038C		116	180																					
PS2E048A	48	58	140			15	10	1/2 GF	1/2 GF	0.75(E)		26	24											
PS2E048C		116	284																					
PS2E054A	54	58	180																					
PS2E054C		116	365																					
PS2E064A	64	58	250											10	10	3/4 GF	3/4 GF	0.75(E)	29	26				
PS2E064C		116	505																					
PS2E076A	76	58	365	7	7	1" GF	1" GF	0.75(E)	34	27														
PS2E076C		116	730																					
PS2E089A	89	58	495								5	5	1" GF								1" GF	0.75(E)	38	28
PS2E089C		116	1,000																					

Solenoid diaphragm pump

Hydraulic diaphragm pump

Mechanical diaphragm pump & plunger pump

DIMENSIONAL DRAWINGS



LIQUID END MATERIAL	PLUNGER DIAMETER [mm]	A [mm]	B [mm]	C [BSP]	T [mm]	THREE-PHASE					SINGLE-PHASE				
						MOTORS [kw]	MOTOR SIZE	D [mm]	E [mm]	F [mm]	MOTORS [kw]	MOTOR SIZE	D [mm]	E [mm]	F [mm]
SS316L (21)	25	121	258	3/8" f	68	0.25	71 B14	385	443	187	0.37	71 B14	385	455	187
	30	122				0.37			455		0.55				
	38	164	268	1/2" f	88.5	0.55	80 B14	398	470	197	0.75	80 B14	398	498	
	48								472				500		
	54	176	273	3/4" f	103	0.75	80 B14	398	491	197	1.10	80 B14	412	523	
	64	195							510				542		
	76	241	288	1" f	112	0.75	80 B14	398	510	197	1.10	80 B14	412	542	
	89	253							510				542		
PVC (31)	25	179	258	3/8" f	78	0.25	71 B14	385	453	187	0.37	71 B14	385	465	187
	30	178				0.37			467		0.55				
	38	200	268	1/2" f	108	0.55	80 B14	398	483	197	0.75	80 B14	398	511	
	48	244							493				525		
	54	253	273	3/4" f	118	0.75	80 B14	398	493	197	1.10	80 B14	412	545	
	64	273							513				545		
	76	299	288	1" f	148	0.75	80 B14	398	513	197	1.10	80 B14	412	545	
	89	309							513				545		

	STANDARD	
	21/24	31/34
PUMP HEAD	SS316L	PVC
PISTON	SS316L	Ceramic
PISTON SEAL	FPM/EPDM	
VALVES	SS316L	Ceramic
VALVE SEATS	SS316L	PTFE

PUMP HEAD MATERIALS

MAX DOSAGE TEMPERATURE

PVC/SS316L: 40°C

FLOW RATE ADJUSTMENT

Every pump can be equipped with frequency-conversion motor or explosion-proof motor or electric actuator which accepts 4-20mA.

P S2 E 064 C 31 E4 060

PUMP IDENTIFICATION

- OPTIONAL
- MOTOR
- PUMP HEAD MATERIALS
- STROKES
- PLUNGER DIAMETER
- STROKE LENGTH
- MECHANISM TYPE
- MODEL

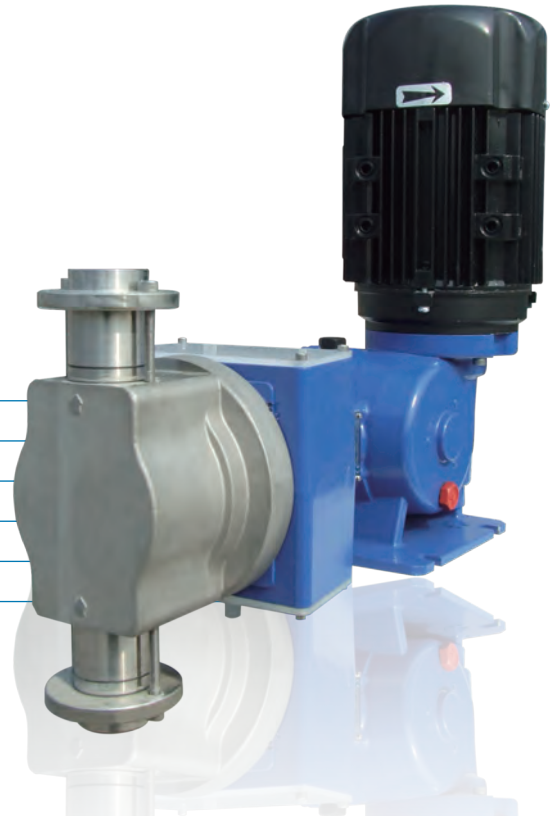
PS1 Series

Plunger Piston Metering pumps

PS1 pumps are plunger piston metering pumps featuring a spring return mechanism in an aluminium housing.

FEATURES

■ FLOW RATE	from 1,5 to 304 L/h
■ MAX PRESSURE	20 bar
■ STROKE RATE	58 – 116 strokes/minute
■ PISTON DIAMETER	from 6 to 64 mm
■ MOTOR	standard 0,18 and 0,25 Kw (IP 55)
■ STROKE LENGTH	15 mm



TECHNICAL FEATURES

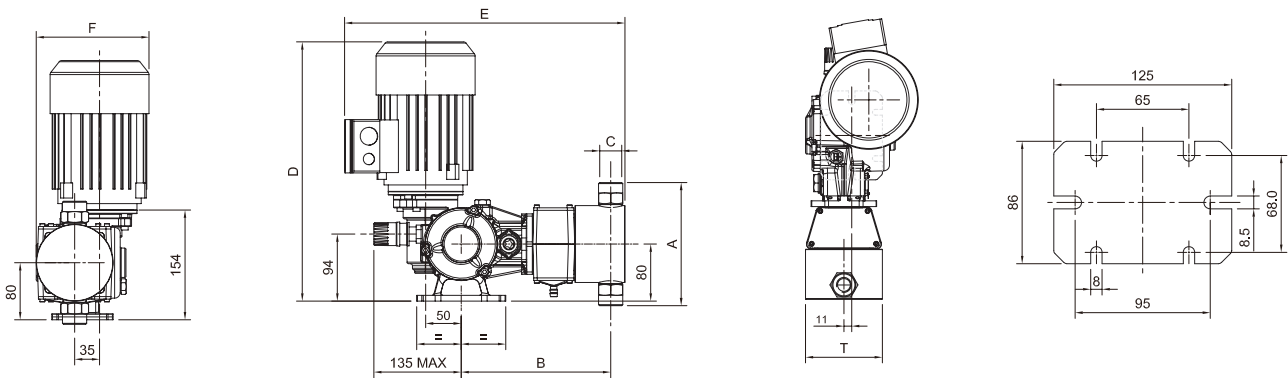
MODEL	PISTON DIAMETER [mm]	STROKES RATE [Strokes/min]	FLOW RATE [L/h]	MAX PRESSURE [bar]		CONNECTIONS		MOTORS [kW]	WEIGHT [Kg]		CARTON SIZE (LxWxH) (mm)														
				SS316L	PVC	SS316L	PVC		SS316L	PVC															
PS1D006A	6	58	1,5	20	10	1/4 GF	1/4 GF DN15	0.18(A)	14	12	430x280x530														
PS1D006C		116	3						14	12															
PS1D011A	11	58	5						3/8 GF	3/8 GF DN15		0.18(A)	14	13											
PS1D011C		116	10												17	14									
PS1D017A	17	58	11														1/2 GF	1/2 GF	0.25(B)	19	17				
PS1D017C		116	22																			19	17		
PS1D025A	25	58	25			8	8	0.25(B)																20	17
PS1D025C		116	50																						
PS1D030A	30	58	35						3/4 GF	3/4 GF		0.25(B)	21	19											
PS1D030C		116	70												21	19									
PS1D038A	38	58	55														10	10	0.25(B)	19	17				
PS1D038C		116	110																			10	10		
PS1D048A	48	58	85	8	8	0.25(B)	20	17																	
PS1D048C		116	170								8													8	
PS1D054A	54	58	110						6	4		0.25(B)	21	19											
PS1D054C		116	220												6	4									
PS1D064A	64	58	152														6	4	0.25(B)	21	19				
PS1D064C		116	304																			6	4		

Solenoid diaphragm pump

Hydraulic diaphragm pump

Mechanical diaphragm pump& plunger pump

DIMENSIONAL DRAWINGS



LIQUID END MATERIAL	PLUNGER DIAMETER [mm]	A [mm]	B [mm]	C [BSP]	T [mm]	THREE-PHASE					SINGLE-PHASE				
						MOTORS [kw]	MOTOR SIZE	D [mm]	E [mm]	F [mm]	MOTORS [kw]	MOTOR SIZE	D [mm]	E [mm]	F [mm]
SS316L (21)	6	161	195	1/4" f	68	0.18	63 B14	333	362	151	0.25	71 B14	371	392	160
	11								367						
	17	121	200	3/8" f		378	160	0.37	409						
	25					390									
	30	122	210	1/2" f	108	0.25	71 B14	371	392	160	0.37			411	
	38	164			401				420						
	48	176	215	3/4" f	103	0.18	63 B14	333		368	151			0.25	
	54				176				377	160					
64	195	200	3/8" f	78	0.25	71 B14	371	388	165		0.37	421			
6	220	195	1/4" f	79				0.18		63 B14			333	402	166
11				179	200	3/8" f	78		0.25		71 B14	371		403	
17	178	210	1/2" f	98			0.18	63 B14		333			377	166	0.37
25	178			108	0.25	71 B14			371		403	166	0.37		
30	200	118	0.25	71 B14			371	413		166	0.37			0.37	0.37
38	200	120			0.25	71 B14		371	413			166	0.37		
48	244	120	0.25	71 B14			371		413	166	0.37			0.37	0.37
54	253	120			0.25	71 B14		371	413			166	0.37		
64	273	120	0.25	71 B14			371		413	166	0.37			0.37	0.37

	STANDARD	
	21/24	31/34
PUMP HEAD	SS316L	PVC
PISTON		Ceramic
PISTON SEAL	FPM/EPDM	
VALVES	SS316L	Ceramic
VALVE SEATS		PTFE

PUMP HEAD MATERIALS

MAX DOSAGE TEMPERATURE

PVC/SS316L: 40°C

FLOW RATE ADJUSTMENT

Every pump can be equipped with frequency-conversion motor or explosion-proof motor or electric actuator which accepts 4-20mA.

P S1 D 064 C 31 B4 060

PUMP IDENTIFICATION

- OPTIONAL
- MOTOR
- PUMP HEAD MATERIALS
- STROKES
- PLUNGER DIAMETER
- STROKE LENGTH
- MECHANISM TYPE
- MODEL